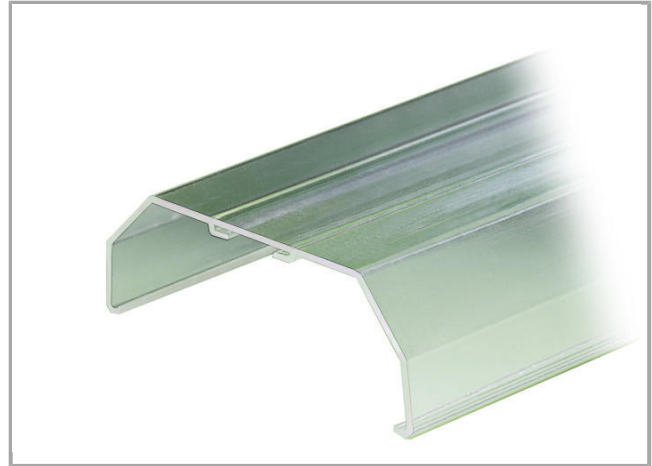
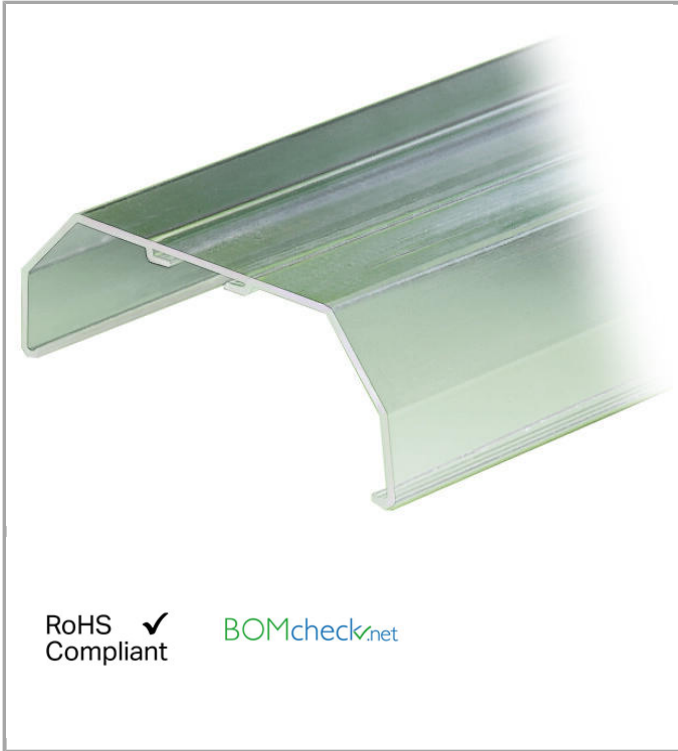
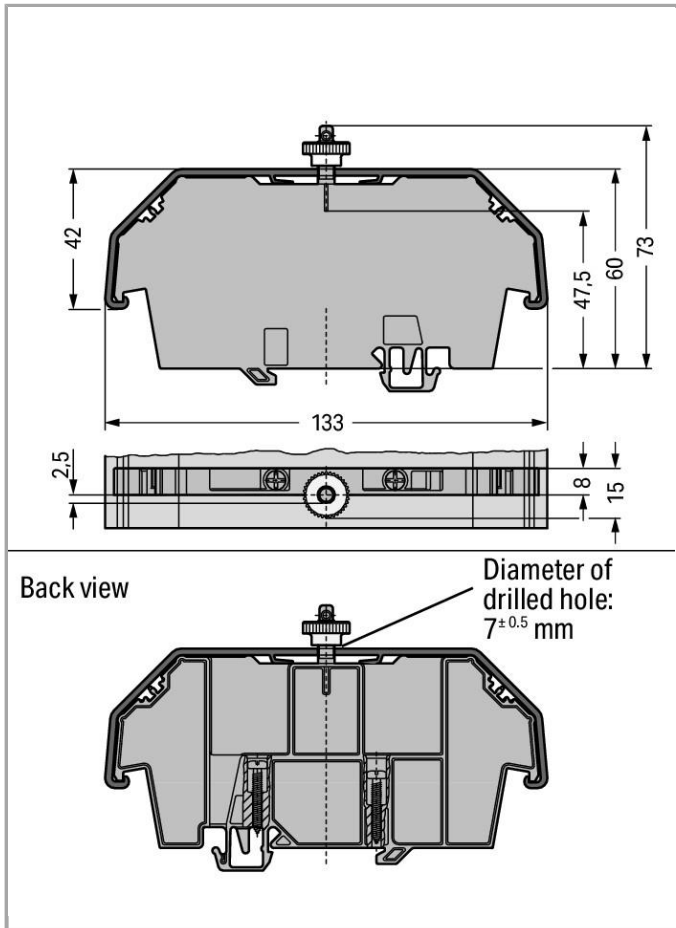


Data sheet | Item number: 709-153

Cover; Type 1; suitable for cover carrier, type 1; 1 m long

709-153





Data

Technical Data

Main product function

Mounting Accessories

Geometrical Data

Abmessungen B x H x T (mm)	(1000 x 42 x 133) mm
Abmessungen B x H x T (inch)	(39.37 x 1.654 x 5.236) inch
Width	1,000 mm / 39.37 inch
Height	42 mm / 1.654 inch
Depth	133 mm / 5.236 inch

Material Data

Weight	483 g
--------	-------

Commercial data

Product Group	2 (Terminal Block Accessories)
Country of origin	DE

GTIN	4017332361446
Customs Tariff No.	39169010900

Compatible products

Marking accessories



Item no.: 709-183

Marking strips; for laser printer

709-183

assembling



Item no.: 209-196

Spare fixing/retaining screw; for cover

209-196



Item no.: 210-549

Spare knurled nut; for cover

210-549



Item no.: 709-167

Cover carrier; Type 1; incl. fixing/retaining screws and knurled nut; suitable for 279 to 282 and 880 Series rail-mounted terminal blocks; suitable for 264 Series miniature rail-mounted terminal blocks; suitable for 270 Series sensor and actuator terminal blocks

709-167

Downloads

Documentation

Bid Text

709-153	doc 24.1 kB	Download
---------	----------------	----------

CAD/CAE - Smart Data

CAD data

3D Download 709-153	URL	Download
---------------------	-----	----------

Subject to changes.